



Connect sensors and console to the packetstore

Published: 2025-01-22

Before you can query for packets on RevealX Enterprise systems, you must have a deployed packetstore and you must connect the console and all sensors to your packetstore.

 **Note:** To connect sensors to the console on an RevealX360 system, see [Connect to RevealX 360 from sensors](#) 

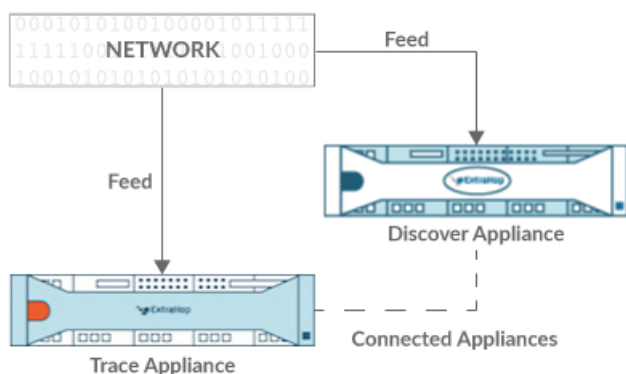


Figure 1: Connected to a sensor

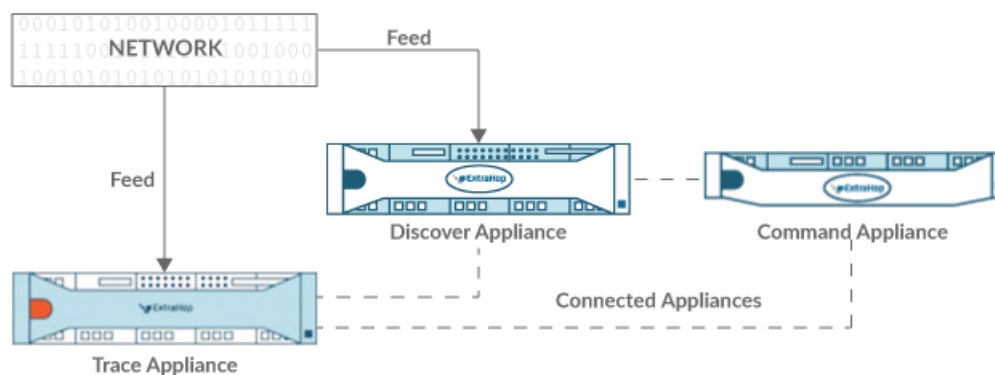



Figure 2: Connected to sensor and console

1. Log in to the Administration settings on the ExtraHop system through `https://<extrahop-hostname-or-IP-address>/admin`.
2. In the Packetstore Settings section, click **Connect Packetstores**.
3. In the Packetstore hostname field, type the hostname or IP address of the packetstore.
4. Click **Pair**.
5. Note the information listed in the Fingerprint field, and then verify that the fingerprint listed on this page matches the packetstore fingerprint on the Fingerprint page in the Administration settings of the packetstore.
6. In the Packetstore Setup Password field, type the password of the packetstore `setup` user.
7. Click **Connect**.
8. To connect additional packetstores, repeat steps 2 through 7.

 **Note:** You can connect a sensor to twenty or fewer packetstores, and you can connect a console to fifty or fewer packetstores.

9. If you have a console, log in to the Administration settings on the console and repeat steps 3 through 7 for all packetstores.