

Deploy the ETA 6150 packetstore

Published: 2024-05-22

This guide explains how to install the rack-mounted ETA 6150 packetstore.

System requirements

Packetstore

- 2U of rack space
- 2x750W of power

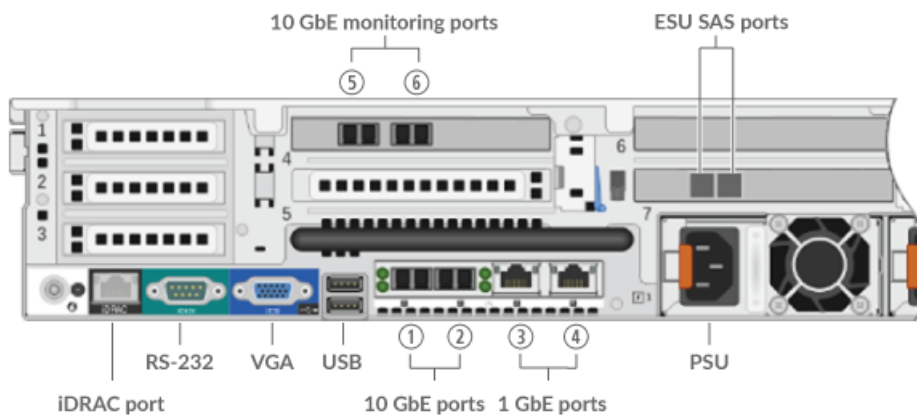
Network Access

TCP ports 80 and 443 must be open.

These ports enable you to administer the packetstore. Requests sent to port 80 are automatically redirected to HTTPS port 443.

! Important: For maximum performance and compatibility, deploy sensors and packetstores in the same datacenter.


Rear panel ports



- One iDRAC interface port
- One RS-232 serial port to connect a console device
- One VGA port to connect an external display
- Two USB 3.0 ports to connect input devices such as a keyboard and mouse
- Two 10/100/1000 BASE-T network ports. Port 3 is the primary management port.
- Four 10 GbE ports. Ports 5 and 6 are the monitoring (capture) interfaces.
- Two power ports to connect the packetstore to an AC power source

Set up the packetstore

1. Rack mount the packetstore.
Install the packetstore in your data center with the included rack-mounting kit. The mounting kit supports most four-post racks with either round or square holes.
2. Connect port 3.
Connect your management network to the 1 GbE interface on port 3.

3. Connect the 10 GbE port.
Connect your network data feed to the 10 GbE interface on port 5, port 6, or both.
 **Important:** The packetstore requires a duplicate feed of the traffic that is sent to the sensor.
4. Connect the power cords.
Connect the two supplied power cords to the power supplies on the back of the packetstore.
5. Optional: Connect any extended storage units. For information about configuring extended storage units, see [Add storage capacity to the ETA 6150 or 8250](#).
6. Plug the power cords into a power outlet. If the packetstore does not power on automatically, press the power button on the front of the packetstore.

Configure the management IP address

DHCP is enabled by default on the packetstore. When you power on the packetstore, interface 3 attempts to acquire an IP address through DHCP. If successful, the IP address appears on the home screen of the LCD. If an IP address has not been configured, the LCD displays `No IP`.

If your network does not support DHCP, you can configure a static IP address through the LCD menu on the front panel or through the command-line interface (CLI).

Configure a static IP address through the front panel

Complete the following steps to manually configure an IP address through the front panel LCD controls.

1. Make sure that the default management interface is connected to the network and the link status is active.
2. Press the select button (✓) to begin.
3. Press the right arrow (>) button to select **Net** and then press the select button.
4. Press the right arrow button twice to highlight **DHCP** and then press the select button.
5. Press the right arrow button to select **Static** and then press the select button.
6. Press the right arrow button to select **IP** and then press the select button. The currently configured IP address appears.
7. Press the right arrow button until the first digit you want to change is highlighted.
8. Press the select button. The digit blinks when selected. While the digit is blinking, press the left arrow (<) or right arrow (>) button to change the digit value.
9. After you have chosen the correct digit, press the select button.
10. Repeat steps 7-9 for each remaining digit you want to change.
11. Press the left arrow button to navigate to the up arrow ↑ on the display and press the select button.
12. On the Save screen, select **Yes** and then press the select button.
13. Wait a moment to be redirected to the Net screen. Repeat the actions above to set the mask, gateway, and up to two DNS servers.
14. Optional: Configure the iDRAC DHCP, IP, mask, gateway, and DNS in the same manner as the IP address.

Configure a static IP address through the CLI

You can access the CLI by connecting a USB keyboard and SVGA monitor to the appliance or through an RS-232 serial (null modem) cable and a terminal emulator program. Set the terminal emulator to 115200 baud with 8 data bits, no parity, 1 stop bit (8N1), and hardware flow control disabled.

1. Establish a connection to the ExtraHop system.
2. At the login prompt, type `shell` and then press ENTER.

3. At the password prompt, type the service tag number found on the pullout tab on the front of the packetstore, and then press ENTER.
4. To configure a static IP address, run the following commands:

- a) Enable privileged commands:

```
enable
```

- b) At the password prompt, type the service tag number, and then press ENTER.
- c) Enter configuration mode

```
configure
```

- d) Enter interface configuration mode:

```
interface 3
```

- e) Run the `ip` command and specify the IP address and DNS settings in the following format:

```
ip ipaddr <ip_address> <netmask> <gateway> <dns_server>
```

For example:

```
ip ipaddr 10.10.2.14 255.255.0.0 10.10.1.253 10.10.1.254
```

- f) Leave interface configuration mode:

```
exit
```

- g) Save the running configuration file:

```
running_config save
```

- h) Type `y` and then press ENTER.

After you assign a static IP address, the IP address appears on the LCD at the front of the packetstore.

Configure the packetstore

Open a web browser and log in to the Administration settings on the ExtraHop system through `https://<extrahop-hostname-or-IP-address>/admin` with the `setup` user account. The password is the system serial number that appears in the Info section of the LCD display and on the label on the back of the packetstore.

- [Register your ExtraHop system](#) 
- [Connect sensors and console to the packetstore](#)
- Review the [ExtraHop Post-deployment Checklist](#)  and configure additional packetstore settings.

Connect sensors and console to the packetstore

Before you can query for packets, you must connect the console and all sensors to the packetstore.

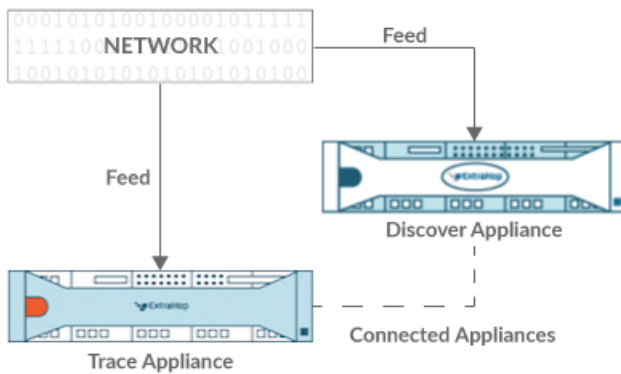


Figure 1: Connected to a sensor

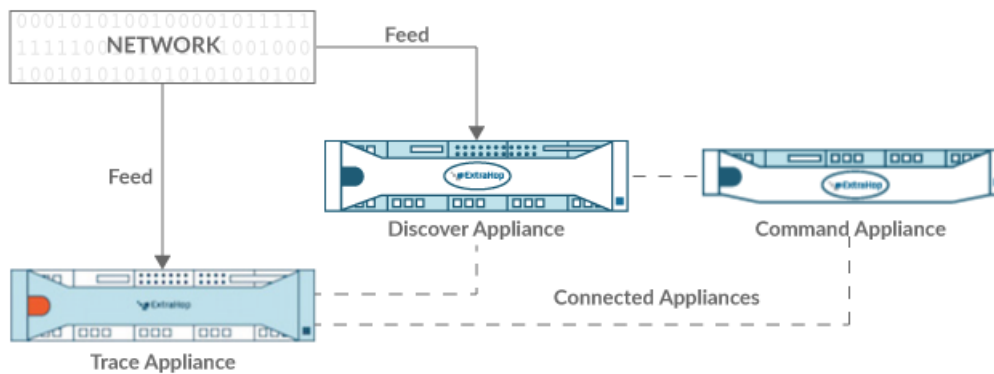



Figure 2: Connected to sensor and console

1. Log in to the Administration settings on the sensor through `https://<extrahop-hostname-or-IP-address>/admin`.
 2. In the Packetstore Settings section, click **Connect Packetstores**.
 3. In the Packetstore hostname field, type the hostname or IP address of the packetstore.
 4. Click **Pair**.
 5. Note the information listed in the Fingerprint field, and then verify that the fingerprint listed on this page matches the packetstore fingerprint on the Fingerprint page in the Administration settings of the packetstore.
 6. In the Packetstore Setup Password field, type the password of the packetstore `setup` user.
 7. Click **Connect**.
 8. To connect additional packetstores, repeat steps 2 through 7.
-  **Note:** You can connect a sensor to twenty or fewer packetstores, and you can connect a console to fifty or fewer packetstores.
9. If you have a console, log in to the Administration settings on the console and repeat steps 3 through 7 for all packetstores.

Verify the configuration

After you have deployed and configured the packetstore, verify that packets are being collected.

Before you begin

You must have a minimum user privilege of **view and download packets** to perform this procedure.

1. Log in to the ExtraHop system through `https://<extrahop-hostname-or-IP-address>`.
2. Make sure that the **Packets** menu appears in the top menu.

3. Click **Packets** to start a new packet query.
You should now see a list of the collected packets.

If the Packets menu item does not appear, revisit the [Connect sensors and console to the packetstore](#) section. If no results are returned when you perform a packet query, check your network settings. If either issue persists, contact [ExtraHop Support](#).